



Fiddler's Rag

Vol. 44, Number 7
Celebrating 43 years

Santa Clara Valley Fiddlers Association
www.scvfa.org or www.fiddlers.org

July 2016
Next Jam: July 3



President's Note

The SCVFA jams in July and August will be held in the Rose Garden Park.

SCVFA has the long tradition of gathering to jam in this idyllic setting. This year as in the past, we will locate the jam on the side of the park by Garden Drive between McDaniel and Naglee Ave.

Come early to help secure this location and take a moment to enjoy the lovely gardens. Spread the word... invite friends to experience the SCVFA community or simply listen at our July and August free jams in the Rose Garden Park.

June marked the beginning of summer. Folks have been traveling to music festivals near and far to immerse themselves in the world of music. The National Oldtime Fiddlers' Contest in Weiser, Idaho will attract people from all across the nation. Bluegrass takes center stage at Grass Valley on Father's Day weekend and they also boast a strong Oldtime Contingent. American Week Dance and Music camp in LaHonda features Quebequois and American fiddle tune workshops. Sempervirens, a Trad Music Camp, in Boulder Creek, also on Father's Day weekend, is in its very first year. Members will have many stories, pictures and much good music to share from all these destinations and more.

I was jam manager for the June jam. Several folks attended the jam just to listen and enjoy the open mic. Keeping the stage simmering with music is not always an easy task for the manager. Please do sign up for a 3 tune / 15 minute session on stage. It's fun and will provide awesome entertainment for our non-musician attendees.

Thanks to Topher Heath, the **Slow Jam** is attracting ever larger numbers of musicians. This extremely

successful jam continued the entire afternoon... well after the 1:30-2:30 time slot. Check www.Fiddlers.org for more information, including a tune list and links to sheet music PDFs and MIDI files.

Thank you, Gary Breitbard for leading the popular **Tune Builder Circle**. At least a dozen fiddlers joined Gary and Jena Rauti (on accordion) to build their repertoire. They learned "Stoned" and "Give the Fiddler a Dram" They even learned the lyrics to Give the Fiddler a Dram and could be heard singing across the playground. The group also reviewed some previously learned tunes.

The SCVFA board meeting will be held at my home in Mountain View on Wednesday, July 13th. The official meeting start time is 6:30 PM, but do come early for a potluck dinner at 6:00. For more information: email [President at Fiddlers.org](mailto:President@Fiddlers.org) or speak to any board member.

I am proud to be president of SCVFA as we continue to evolve and grow. Our new board, engaging and enthusiastic, is still looking for another like-minded person to fill the trustee position that I vacated. Show how much you value SCVFA by volunteering as a trustee. Contact any board member to learn how to join the fun.

It takes a village to keep SCVFA running smoothly.
Let's all do our part,

--- Susan Goodis

Keep SCVFA healthy; offer assistance 1-2 times a year to transport sound equipment from the storage locker.

In This Issue:	Page
President's Message.....	1
SCVFA Happenings.....	3
Photos from the June Jam.....	4-6
Tune: Red Wing.....	7

The Fiddler's Rag is published monthly by the Santa Clara Valley Fiddlers Association and is provided to members of the Association. The Santa Clara Valley Fiddlers Association (SCVFA), founded in 1973 in San Jose, California, is a nonprofit, volunteer-operated organization dedicated to the preservation, teaching, and enjoyment of traditional music. The first membership in a household includes the Fiddler's Rag; additional members sharing the newsletter are steeply discounted. To join, sign up at the jam or see www.fiddlers.org/join.

Officers and Chairs

President-Trustee	Susan Goodis	Newsletter Publisher ..	Charlotte Prater
Vice President	Élan Alford	Performances Contact ..	Dave Williams
Recording Secretary	Anne Raphael	Publicity	OPEN
Treasurer	Dinah Showman	Webmaster	Pete Showman
Membership Secretary	Pete Showman	Youth Programs Chair	OPEN
News Editor	Patrice Tanti	Youth Fiddle Contest ..	Pete Showman

Trustees

Seat 1: Pete Showman	Seat 3: Bert Raphael	Seat 5: Dave Williams
Seat 2: Élan Alford	Seat 4: Wes Mitchell	Seat 6: OPEN

To Contact the SCVFA:

Mail: P.O. Box 2666, Cupertino, CA 95015-2666

Email to Susan Goodis: [president \[at\] fiddlers.org](mailto:president@fiddlers.org)

Newsletter Submissions & Comments: [newsletter \[at\] fiddlers.org](mailto:newsletter@fiddlers.org)

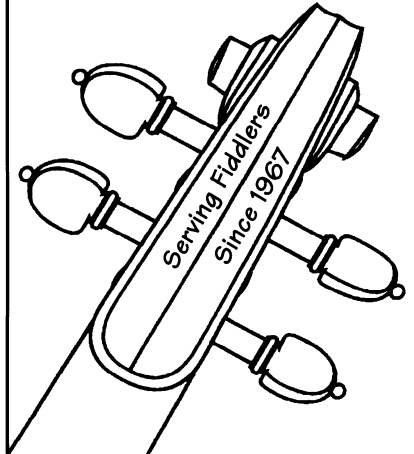
Address changes: [membership \[at\] fiddlers.org](mailto:membership@fiddlers.org)

Website: www.scvfa.org or www.fiddlers.org

Copyright 2016, Santa Clara Valley Fiddlers Association

KAMIMOTO
STRING INSTRUMENTS

**“Fiddles
for
Every Style...”**



- New & Old Instruments
- Repairs & Restorations
- One-hour bow rehairing (by appt.)
- Rentals: Violin, Viola, Cello, Bass

Hours: Mon-Sat 10:00 - 5:30

[408] 298-8168


www.kamimotostrings.com

609 North Fourth Street
San Jose, CA 95112

[800] 892-3199

Fax: **[408] 298-8198**

From Marin to Monterey, Tracy to Tiburon...
...we're in the heart of bluegrass country



THE NORTHERN CALIFORNIA
BLUEGRASS SOCIETY www.ncbs.us

Since 1982 the Northern California Bluegrass Society has promoted bluegrass and old time music in the San Francisco Bay and Monterey Bay areas. This highly active club has nurtured the development of bands and venues. The NCBS hosts the Good Old Fashioned Bluegrass Festival each August, an event that solely features California bands. We sponsor festivals, concerts and jams all over the area. Members receive the Bluegrass By the Bay magazine each quarter. Please join us!

Amazon purchases - initiate from the SCVFA home page to give a small commission to SCVFA.

SCVFA Happenings

Get involved; attend a board meeting - all SCVFA members are welcome - For date and location, ask any Board member.

SCVFA Slow Jam

Thank you all for participating in the slow jam. The slow jam is for beginners who want to participate in a slow-paced jam (60-90 BPM). To participate, you should be able to tune your instrument, play chords at a steady pace, and (optionally) work up melodies / leads. We keep things at an easy pace and we often play breaks together (old time style) even on non-fiddle tunes. This makes it possible for you to join the jam where ever you are at in your development as a musician. So, come join us!

All the tunes we have played so far are fair game even if they are not on the active list. We can revisit tunes especially at the end when we have gone through the active list.

The active song list is:
D Angeline The Baker
D Arkansas Traveler
G Girl I Left Behind Me
G Hot Corn, Cold Corn
D Jaybird
D Liberty
D Mississippi Sawyer
D Over The Waterfall
A Red-Haired Boy
G Red Wing
D Soldier's Joy
D Squirrel Hunters
C Wildwood Flower

Check here first for songs:
www.scvfa.org/tunes/

If you have trouble finding a song, feel free to contact me for ideas.

Note: To add or remove yourself from the email list for the Slow Jam, send a request to [topher.heath \[at\] yahoo.com](mailto:topher.heath@yahoo.com).

Topher Heath

Events below selected from Allan French's Events + Resources Spreadsheet at www.RailGrass.info

American Week Dance and Music Camp

Featuring 'Genticorum'
www.bacds.org/camps/amweek2016
Jones Gulch YMCA Camp in La Honda, CA
June 26 - July 1

High Sierra Music Festival

www.highsierramusic.com
Quincy, CA June 30 – July 3

Second Friday Song Session

(acapella Celtic, Irish, and nautical singing)
email [jeremy.friedenthal \[at\] gmail.com](mailto:jeremy.friedenthal@gmail.com)
Redwood City, CA July 8

Bluegrass Train Jam

email Mary Kennedy at [kennedymk \[at\] comcast.net](mailto:kennedymk@comcast.net)
Santa Clara, CA Train Depot July 9 at Noon to 3pm

Humboldt Folk Life Festival

www.humboldtfolklife.org
Blue Lake, CA July 9

Wallowa Fiddle Tunes Camp

wvmusicalliance.org/wallowa-fiddle-tunes-camp-2016
Wallowa, OR July 10-15

California Coast Music Camp

www.musiccamp.org
Auburn, CA July 10-16, 17-23

Redwood Ramble (full)

www.redwoodramble.com
Navarro, CA July 14-17

Santa Cruz Mountain Sol Festival

www.santacruzmountainsol.com
Felton, CA September 18, 19

June Jam Photos

Come and jam with us every month.



Slow Jam...

Slow Jam with Topher Heath



or Regular Jam

Look around for many styles and tempos ...

(Photos: Susan Goodis)

Cool Musicians (They already got the card!)



Take a few SCVFA business cards to hand out to fellow musicians.

Friendly Open Mic.



Play on stage for the SCVFA open mic.
Pass on performance inquiries to Dave Williams at performances [at] fiddlers.org

(Photos: Susan Goodis)

Amazing Tunes



Be a leader - Teach a tune at the monthly Tune Builder Circle.

(Photos: Susan Goodis)

Your photos here

Photographers ... or wanna be's - share your talent by photographing memorable times at SCVFA events - send to Pat Tanti at [newsletter \[at\] fiddlers.org](mailto:newsletter@fiddlers.org)

Key: G major

♩ = 90

Red Wing

(as instrumental)

Music by Kerry Mills (1907),

lyrics by Thurland Chattaway

Arr. Pete Showman

Red Wing (lyrics by Thurland Chattaway)

There once was an Indian maid,
A shy little prairie maid,
Who sang a lay, a love song gay,
As on the plain she'd while away the day;

She loved a warrior bold,
This shy little maid of old,
But brave and gay, he rode one day
To battle far away.

She watched for him day and night,
She kept all the campfires bright,
And under the sky, each night she would lie,
And dream about his coming by and by;

But when all the braves returned,
The heart of Red Wing yearned,
For far, far away, her warrior gay,
Fell bravely in the fray.

Chorus:

*Now, the moon shines tonight on pretty Red Wing
The breeze is sighing, the night bird's crying,
For afar 'neath his star her brave is sleeping,
While Red Wing's weeping her heart away.*

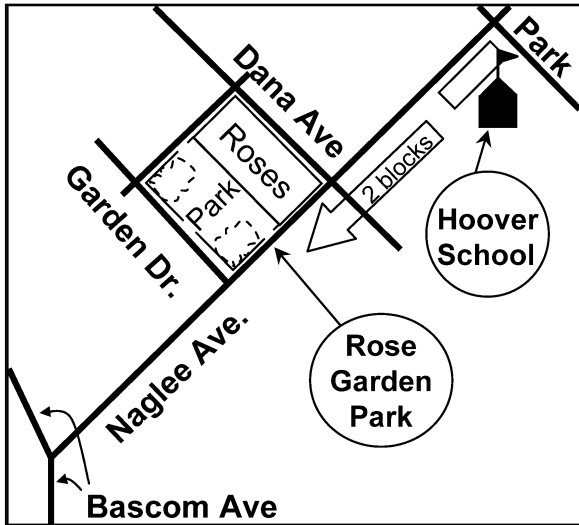
Repeat chorus

Arranged and typeset in ABC by Pete Showman 3/31/2006 (rev. 3: 3/20/2016)

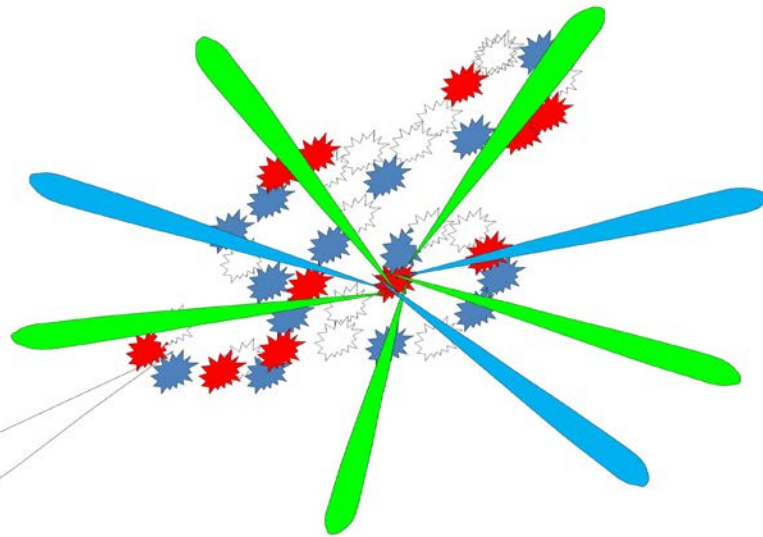
Santa Clara Valley Fiddlers Association
P.O. Box 2666
Cupertino, CA 95015-2666

Rose Garden Park July & August 2016

Next Jam: Sunday July 3rd at 1 pm
Rose Garden Park (see map)
Look for us under the trees!



Damaged or Missing Issue? Call us,
or email to: [newsletter \[at\] scvfa.org](mailto:newsletter@scvfa.org)



Keep SCVFA healthy; invite non-musician friends to be our audience and part of our community.