



# Fiddler's Rag

Vol. 43, Number 4  
Celebrating 42 years

Santa Clara Valley Fiddlers Association  
[www.scvfa.org](http://www.scvfa.org) or [www.fiddlers.org](http://www.fiddlers.org)

April 2015  
Next Jam: Apr. 5

## President's Note



Blaine Sprouse's workshop and concert on March 1 were great successes. All 30 workshop slots were filled! He showed us his versions of Roxanne's Waltz and Festival Waltz both with beautiful double stops and he

taught us techniques for instrumental accompaniment and for backing up singers.

Gwen Koyanagi (guitar, 2nd fiddle) and Sharon Gilchrist (bass and mandolin) were Blaine's accompanists on stage. It was fun to hear Gwen and Blaine play twin fiddles with Sharon on mandolin.

George Bradshaw was jam manager. Allan French and Bill Boiko helped him at the storage locker. Allan also helped with our workshop signups. Thanks everyone!

Topher Heath will once again lead his popular "Real Slow Jam" for beginning to advanced beginners who can play chords at a steady rhythm.

### First-Time Visitors Can Get a Free Door Admission

Members can once again bring first-time visitors for a free door admission from April through June. Guests must be accompanied by a member.

### Storage Locker Help for a Full PA System

We need help at the storage locker bringing our PA system and supplies to the jam. Without help, we might bring only 2 mics, one speaker, and no monitors. Help out by signing up at the desk in back. Loading takes 15 to 20 minutes and driving takes 10 minutes.

### Share Your Photos

Share your photos and we will include your name if they are used in the Rag. Email them to newsletter editor Pat Tanti at [newsletter@fiddlers.org](mailto:newsletter@fiddlers.org).

### Donate CDs for our Door Prize

Donate a CD you don't need for our door prize winners.

### Amazon Buyers

On the lower left side of our [www.fiddlers.org](http://www.fiddlers.org) website we have a link to Amazon. If you click on it to go to Amazon, we get a small commission if you make a purchase. It costs you nothing and it really helps us.

## The Ten Jammandments *by Larry Carlin* From the East Bay Fiddlin' and Pickin' Potlucks

### I. Thou Shalt Tune Thy Instrument.

Electronic tuners make this easy.

### II. Thou Shalt Keep Steady Rhythm.

Count beats if necessary.

### III. Thou Shalt Take Turns Choosing Songs.

Announce the key. Vocalists always choose their key. Choose a song you can complete.

### IV. Thou Shalt Not Speed.

Start songs at a reasonable tempo. Speed up according to abilities.

### V. Thou Shalt Signal Who Has The Solo.

Follow a pattern when taking solo leads.

### VI. Thou Shalt Listen To Others.

If you can't hear the lead, consider yourself too loud.

### VII. Thou Shalt Welcome Others.

Include everyone in your jam. Help everyone sound as good as they can.

### VIII. Thou Shalt Not Steal Other Musicians From An Active Jam.

With time, players move around anyway.

### IX. Thou Shalt Try New Material.

Original & different tunes are OK occasionally.

### X. Thou Shalt Be Considerate Of Pickers (and Others).

Explain when you're rehearsing, not jamming. Help beginners.

### In This Issue:

### Page

President's Message .....	1
The 10 Jammandments by Larry Carlin .....	1
SCVFA Community Performances by Dave Williams .....	2
SCVFA Meeting Notes and Happenings .....	3
Blaine Hits the Mark by Patrice Tanti.....	4
Photos from the March Concert.....	5
Tune: Roxanne's Waltz .....	6-7

The Fiddler's Rag is published monthly by the Santa Clara Valley Fiddlers Association and is provided to members of the Association. The Santa Clara Valley Fiddlers Association (SCVFA), founded in 1973 in San Jose, California, is a nonprofit, volunteer-operated organization dedicated to the preservation, teaching, and enjoyment of traditional music. The first membership in a household includes the Fiddler's Rag; additional members sharing the newsletter are steeply discounted. To join, sign up at the jam or see [www.fiddlers.org/join](http://www.fiddlers.org/join).

**Officers and Chairs**

President-Trustee ...	Richard J. Brooks	Newsletter Publisher ..	Charlotte Prater
Vice President .....	OPEN	Performances Contact ..	Dave Williams
Recording Secretary	Dinah Showman	Publicity .....	OPEN
Treasurer .....	Janet Johnston	Webmaster .....	Pete Showman
Membership Secretary	Pete Showman	Youth Programs Chair .....	OPEN
News Editor .....	Patrice Tanti	Youth Fiddle Contest	Pete Showman

**Trustees**

Seat 1: Pete Showman	Seat 3: George Bradshaw	Seat 5: Dave Williams
Seat 2: Élan Alford	Seat 4: Charlotte Prater	Seat 6: Susan Goodis

**To Contact the SCVFA:**

Mail: P.O. Box 2666, Cupertino, CA 95015-2666  
 Email to Richard Brooks: president at fiddlers.org Phone: (650) 328-3939

**Newsletter Submissions & Comments:**

Email: newsletter at fiddlers.org

Website: [www.scvfa.org](http://www.scvfa.org) or [www.fiddlers.org](http://www.fiddlers.org)  
 Copyright 2015, Santa Clara Valley Fiddlers Association

**SCVFA Community Performances**

*By Dave Williams*

As most of you are aware, as part of our organization's mission to promote our music in the community, we do performances for many different types of events and locations. These can range from civic events, cultural activities, service clubs, retirement communities and many others. We charge \$125 a set for these performances that goes directly to SCVFA to cover the overhead of running the jams (insurance, rent, storage locker) and other organizational expenses including publishing this newsletter.

More than the money, performances fulfill our mission of promoting our music in the community and this is very important to our organization. SCVFA has initiated a process this month to call Senior Centers and Retirement Homes so that we might find more opportunities to bring our music to the community.

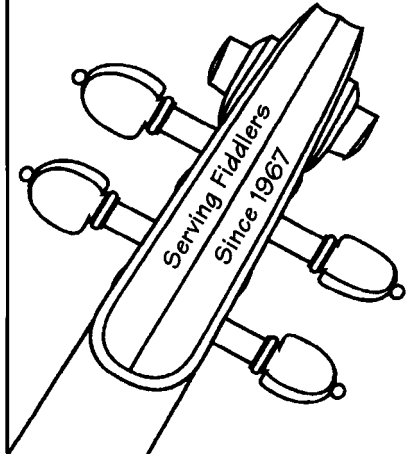
As they say in some circles, I told you that so I could tell you this! We need volunteers to play these events and even more importantly, each event needs a leader to organize the performance.

Let me begin by explaining our process. Through our website and email, groups or individuals contact SCVFA requesting a performance. After some screening / filtering by me, I send an email to many of our members asking who would like to play and again, more importantly, who could be the leader for the event. Responses to these emails vary but usually we get a quorum and a group of our musician members to perform for the event.

**See Performances, Page 3**

**KAMIMOTO**  
 STRING INSTRUMENTS

**“Fiddles  
 for  
 Every Style...”**



- New & Old Instruments
- Repairs & Restorations
- One-hour bow rehairing (by appt.)
- Rentals: Violin, Viola, Cello, Bass

Hours: Mon-Sat 10:00 - 5:30

**[408] 298-8168**  
[www.kamimotostrings.com](http://www.kamimotostrings.com)

609 North Fourth Street  
 San Jose, CA 95112

**[800] 892-3199**

**Fax: [408] 298-8198**

## Performances

*Continued from Page 2*

Leader may be an intimidating role for some so I want to try to alleviate some of that intimidation. What is required for that role for most of these opportunities are the organizational skills to deal with the event organizer on date, time and other logistics issues and knowing some people you like to play with and some songs to play and then making sure they get to the gig. For instance, a group of old time fiddlers could easily entertain at a senior center or retirement home. The residents will love it. As for the logistics, most of that is handled up front by the performance coordinator for SCVFA and is handed off to the event leader to confirm details with the requestor.

If you would like to volunteer to play for these performance events or if you can consider being the leader (with help from SCVFA leadership) for these performances please contact me at [performances at fiddlers.org](http://performances.atfiddlers.org) or call me at 650-961-7338. Thanks in advance for your participation.

## SCVFA Happenings

### March Board Meeting

The March board meeting took place Sunday, March 15<sup>th</sup>.

SCVFA board meetings are generally open to members. If you'd like to attend, contact Richard Brooks: President at [fiddlers.org](http://fiddlers.org).

### Slow Jam Tunes for April

Topher Heath writes:

Thank you all for participating in the slow jam. The slow jam is for beginners who want to participate in a slow paced jam (60-90 BPM). To participate, you should be able to tune your instrument, play chords at a steady pace, and work up melodies / leads.

I removed a couple of tunes and added a couple more for the coming month.

The song list is:

D Arkansas Traveler \*NEW  
G Cripple Creek \*NEW  
G Girl I Left Behind Me  
G Irish Washerwoman \*NEW last month  
G Kesh Jig, The  
D Liberty  
A Old Joe Clark

Fiddler's Rag April 2015

## SCVFA Meeting Notes

**At the SCVFA annual association meeting** on February 1, 2015 at Hoover School, Dave Williams and Susan Goodis were re-elected to three-year terms as trustees, beginning February 1, 2015.

**At the special trustee meeting on February 1** at Hoover, the following officers and chairs were appointed:

President-Trustee ..... Richard Brooks  
Recording Secretary ..... Dinah Showman  
Treasurer ..... Janet Johnston  
Membership Secretary ..... Pete Showman  
Newsletter Editor ..... Patrice Tanti  
Newsletter Publisher ..... Charlotte Prater  
Performances Contact ..... Dave Williams  
Webmaster ..... Pete Showman  
Youth Fiddle Contest ..... Pete Showman

**At its regular meeting on March 15, 2015**, trustees

- Agreed that the Blaine Sprouse event was an entertainment and financial success.
- Decided to hold the July and August 2015 jams in the Rose Garden Park, and the September jam at Hoover School.
- Developed a plan for offering SCVFA musical presentations to senior centers and community events, and agreed to include the option of having senior groups attend our jams.
- Agreed to look into applying for a grant from Google's grant program for nonprofits. Affirmed that SCVFA is does not discriminate on any unlawful basis in our programs and services, or on the basis of sexual orientation or gender identity.
- Discussed ways to involve kids in our programs, and agreed to try to find out more about what would appeal to youth.
- Discussed our current insurance coverage and some changes that have been made to our policies. We will seek clarification on some issues from our provider.
- Set May 17, 2015 as the proposed date for the next trustee meeting.

*Dinah Showman, Secretary*

D Soldier's Joy  
G Worried Man Blues  
C Wildwood Flower

You can find Arkansas Traveler here for fiddle:  
<http://www.scvfa.org/beginners/>

Note: if you would like to be added to (or removed from) the Slow Jam mailing list, just send a note to: [topher.heath at xxxxxxxx](mailto:topher.heath@xxxxxxx).

## Blaine Hits the Mark *By Patrice Tanti*



Photo by Patrice Tanti

It was short as all good things are but oh so sweet. Legendary fiddler Blaine Sprouse was in our midst at the March jam for a workshop followed by a concert and we all wish we could have stopped time for a bit.



Photo by Richard Brooks

Blaine welcomed the workshop attendees with some practical advice for improving sonority, transitioning from vamping to long notes, and adjusting the tune dynamic. He shared key elements of Roxanne's Waltz, clearly a favorite of his. He made amusing yet respectful imitations of Bill Monroe suggesting a slide into second position. He also mentioned his mentor Kenny Baker, as well as musical influence from Chubby Wise, Howdy Forrester and Vassar Clements.

He then delivered a warm performance, opening with *Angelina Baker* and closing with the classic *Jerusalem Ridge*, followed by *Back Up and Push* as an encore. Blaine voiced how fun it was to perform good old-time fiddle to the appreciative crowd. We all had a good time and look forward to crossing paths with him again at future workshops.

Paul Barnett kindly put together the complete list of tunes performed that day:

## Blaine's Workshop

1. Roxanne's Waltz (taught)
2. Festival Waltz (taught)
3. Old Ebenezer (played)
4. Johnny the Blacksmith (played)

## Concert

Blaine Sprouse with Sharon Gilchrist (bass, mandolin) and Gwen Koyanagi (guitar, fiddle)

1. Angelina Baker
2. Grassy Fiddle Blues (Kenny Baker)
3. Festival Waltz (Kenny Baker)
4. Shoot that Turkey Buzzard/Turkey in the Straw
5. Land of Lincoln (Blaine Sprouse, Kenny Baker)
6. Roxanne's Waltz (Kenny Baker)
7. Indian Springs (Blaine Sprouse, Kenny Baker)
8. My Father's Footsteps
9. Neil Gow's Lament (Buddy McMaster)
10. Little Rabbit
11. Rye Straw (Learned from Howdy Forrester)
12. Rutland's Reel
13. Dixie Hoedown (Twin fiddles, Jesse McReynolds)
14. Jerusalem Ridge (Bill Monroe)
15. Back Up and Push



Photo by Patrice Tanti

## Photos from the March 2015 Concert



Both photos by Richard Brooks - Top: **Blaine Sprouse** with **Gwen Koyanagi** (2<sup>nd</sup> fiddle) and **Sharon Gilchrist** (mandolin); Bottom: audience at Blaine Sprouse concert



Key: C  
♩. = 40

# Roxanne's Waltz

by Kenny Baker. Transcribed by Gwen Koyanagi, as played by Blaine Sprouse; © 2014

Transcribed by Gwen Koyanagi from the playing of Blaine Sprouse. All Rights Reserved; transcription and Blaine's arrangement © 2014. For educational purposes only. Typeset in ABC for the *Fiddler's Rag* by Pete Showman, 3/23/2015.

49 **D** **F#dim** **A**

53 **B** **E** **E7**

57 **A** **C#** **D** **A**

61 **D** **E** **A** slide + roll, A to E **G7**

65 **C** **C** **E** **F** **C**

69 **F** **G** **C** **G**

73 **C** **E** **F** **C**

77 **F** **G** **C** **C7**

81 **F** **F#dim** **C**

85 **D** **G** **G7**

89 **C** **E** **F** **C**

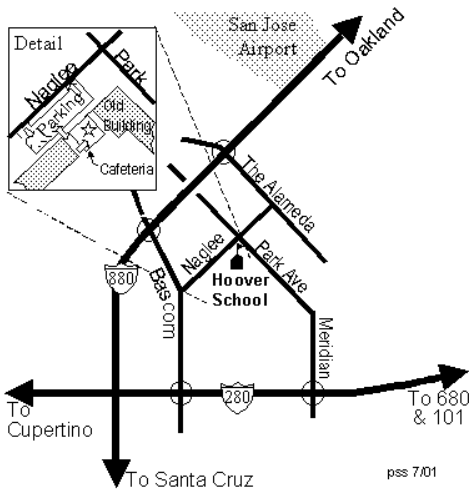
93 **F** **G** **C**

**Santa Clara Valley Fiddlers Association**  
P.O. Box 2666  
Cupertino, CA 95015-2666

**Next Jam: Sunday Apr. 5, 1-5 pm  
at Hoover Middle School**

SCVFA Jam on the first Sunday of each month.  
Location: Hoover Middle School, 1635 Park Ave.,  
San Jose. The school is at the corner of Naglee and  
Park. Cafeteria parking is on the Naglee side.

**Damaged or Missing Issue? Call us,  
or email to: newsletter at scvfa.org**



**Blaine Sprouse with Gwen Koyanagi (guitar) and Sharon Gilchrist (bass) – Photo by Richard Brooks**