



Fiddler's Rag

Vol. 42, Number 11
Celebrating 41 years

Santa Clara Valley Fiddlers Association
www.scvfa.org or www.fiddlers.org

November 2014
Next Jam: Nov. 2



President's Note

Our reunion of the Overlook Mt. Boys and Lone Prairie was a huge success and a wonderful occasion for longtime friends to become reacquainted. It was especially nice to see John and Cynthia Lytle who visited from Tucson, AZ.

Gary Breitbard led our popular Beginners Circle (slow jam). Paul Clarke organized our Prusch Farm Park performance on October 4. That was great fun and well received for the fourth year in a row.

13th Youth Fiddle Contest on November 2

Pete Showman, our Contest Chairman, deserves all the credit for our having a 13th Youth Fiddle Contest on Nov. 2. Organizing it is a big job. Invite friends and neighbors, and encourage youths 17 and under to enter.

First-Time Visitors can get a FREE Door Admission

From January through June 2015, first-time visitors accompanied by a member will be offered a free door admission to encourage increased participation.

Step Forward

Can you call a senior center or retirement home to see if they would like us to perform? Can you distribute our flyers around town? Can you help out at the contest? We need your help.

Donate CDs for our Door Prize

Donate a CD for our door prize winners if you no longer need it.

Share Your Photos

Share your photos and we will include your name if they are used in the Rag. Email them to the editor (currently Pete Showman) at newsletter at fiddlers.org.

Amazon Buyers

On the lower left side of our www.fiddlers.org website we have a link to Amazon. If you click on it to go to Amazon, we get a small commission if you make a purchase. It costs you nothing and it really helps us.

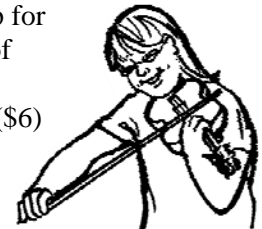
- Richard Brooks

Calling All Young Fiddlers!

Sign Up for our 13th Annual
SCVFA Youth Fiddle Contest
November 2, 2014

Young fiddlers, parents, teachers:

There's still time to sign up for the contest! Get a couple of tunes ready, and mail your registration by Tue. 10/28 (\$6) or bring it to the contest (late registration is \$12).



Everyone — come cheer on these young fiddlers!

Three age divisions:

- 8 and under, 11 and under, 17 and under.
- Cash prizes for 1st through 5th in each division.
- Custom-made fiddle trophies for first place.
- Participant ribbons for all.

Full details and the entry form are on our website: www.fiddlers.org/contest/.

Questions? Call Pete Showman: (408) 255-0297.

Can You Help with the Contest?

Putting on the contest is a team effort. If you'd like to help, e.g. with setup, "shepherding" young contestants, carrying scores from the judges to the scoring table, or other odd jobs, please contact Pete at the number above.

In This Issue:

Page

| | |
|---|-----|
| President's Message | 1 |
| 13th Youth Fiddle Contest (Nov. 2, 2014) | 1 |
| Jack Sadler and Paul King (photo) | 2 |
| SCVFA Happenings: contest, traffic, board meeting rescheduled | 3 |
| Highlights of Last Year's Contest (photos) | 3 |
| Photos from the October Jam and Jack Sadler Band Reunions | 4-6 |

The Fiddler's Rag is published monthly by the Santa Clara Valley Fiddlers Association and is provided to members of the Association. The Santa Clara Valley Fiddlers Association (SCVFA), founded in 1973 in San Jose, California, is a nonprofit, volunteer-operated organization dedicated to the preservation, teaching, and enjoyment of traditional music. The first membership in a household includes the Fiddler's Rag; additional members sharing the newsletter are steeply discounted. To join, sign up at the jam or see www.fiddlers.org/join.

Officers and Chairs

| | | | |
|-----------------------|------------------------------------|----------------------------|------------------|
| President-Trustee ... | Richard J. Brooks | Newsletter Publisher .. | Charlotte Prater |
| Vice President | OPEN | Performances Contact .. | Dave Williams |
| Recording Secretary | Dinah Showman | Publicity | OPEN |
| Treasurer | Janet Johnston | Webmaster | Pete Showman |
| Membership Secretary | Pete Showman | Youth Programs Chair | OPEN |
| News Editor | OPEN (<i>Pete Showman, act.</i>) | Youth Fiddle Contest | Pete Showman |

Trustees

| | | |
|----------------------|--------------------------|-----------------------|
| Seat 1: Pete Showman | Seat 3: George Bradshaw | Seat 5: Dave Williams |
| Seat 2: Élan Alford | Seat 4: Charlotte Prater | Seat 6: Susan Goodis |

To Contact the SCVFA:

Mail: P.O. Box 2666, Cupertino, CA 95015-2666
 Email to Richard Brooks: president at fiddlers.org Phone: (650) 328-3939

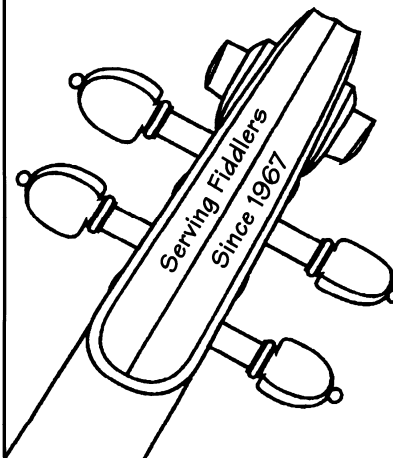
Newsletter Submissions & Comments:

Email: newsletter at fiddlers.org

Website: www.scvfa.org or www.fiddlers.org
 Copyright 2014, Santa Clara Valley Fiddlers Association

KAMIMOTO
 STRING INSTRUMENTS

“Fiddles
 for
 Every Style...”



- New & Old Instruments
- Repairs & Restorations
- One-hour bow rehairing (by appt.)
- Rentals: Violin, Viola, Cello, Bass

Hours: Mon-Sat 10:00 - 5:30

[408] 298-8168
www.kamimotostrings.com

609 North Fourth Street
 San Jose, CA 95112

[800] 892-3199

Fax: [408] 298-8198

Band Reunion: Jack Sadler and Paul King



Band Reunion organizer **Jack Sadler** (L) croons with **Paul King** as the Lone Prairie concert winds down at the October jam.

SCVFA Happenings

Our 13th Youth Fiddle Contest

Join us for the 2014 Youth Fiddle Contest, to be held at the November jam. Come cheer on the young performers – and if you'd like to help, just give Pete Showman a call at (408) 255-0297,

And if you know a young fiddler who hasn't entered yet, it's not too late! Early registration offers a half-price discount to registration forms received with payment by Wednesday October 29th (but we'll accept anything postmarked by the 28th). The early-registration fee is only \$6. After that, bring the registration form to the contest; on-site registration is \$12. All entries include one adult admission pass, good for the contest and the jam.

Full contest details are on our website, at www.fiddlers.org/contest/

Minimal Open Mike; Football Traffic

Remember that with the Fiddle Contest, the stage will be tied up most of the day. But we'd love some entertainment after the contest ends.

A heads-up: The 49ers again have a football game at Levi's Stadium at pretty much the same time as our November jam. (They also had one concurrently with the October jam.) There may be more traffic than usual on routes 237 and 101, so if you're coming that way, consider allowing more time.

November Board Meeting Rescheduled

To avoid the Thanksgiving holiday and to fit Trustees' schedules, the November board meeting will be held on Saturday November 8, from 2 to 5pm, in Mountain View.

SCVFA board meetings are generally open to members. If you'd like to attend, give Richard Brooks a call. (His phone number is on page 2.)

Some Highlights of Last Year's Youth Fiddle Contest (Nov. 2013)



Barbara Rosner photo

Most of the 2013 Contest Volunteers



Dave Williams photo

The Division 1 judging team: **Richard Brooks, Sarah Kirton and Dave Barton.**



Eric Berseth photo

Division 1 (8 and Under) – our youngest contestants

One of the first-place "fiddle" trophies



Richard Brooks photo

Photos from the October 2014 Jam and Band Reunion



Richard Brooks photo

An old-time jam group opens the on-stage performances: L-R, **Norio Kawato**, **George Bradshaw**, **Patti Bossert**, **Susan Goodis**, **Mike Bell**, **Dorian Martinka**, **Élan Alford** and **Bill O'Haron**.



Pete Showman photos

Then from 2 to 3pm **Gary Breitbard** (center) led the popular Beginners' Circle, with many participants – including banjo player **Élan Alford**, who seems to be having a good time working on her fiddle technique.



Eric Berseth photo



Pete Showman photo

The double band reunion drew a large audience and brought many friends we hadn't seen in a while, including **John and Cynthia Lytle**, who came from Tucson AZ (right, talking with **Barbara Kee**).

Photos from the October Jam and Band Reunion, continued



Richard Brooks photo

The **Overlook Mountain Boys** started the band concert: L-R **John Lytle** (guitar), **Jack Tuttle** (fiddle), **Jack Sadler** (vocals), **Louise Mintun** (bass), **Ron White** (vocals, Dobro) and **Rob Horgan** (banjo)



Richard Brooks photo

The second half of the concert was **Lone Prairie**: L-R **Louise Mintun** (bass), **Rob Horgan** (banjo), **Jim Mintun** (vocals, Dobro), **Jack Sadler** (vocals), **Paul King** (vocals, guitar) and **Arthur Kee** (fiddle).



Richard Brooks photo

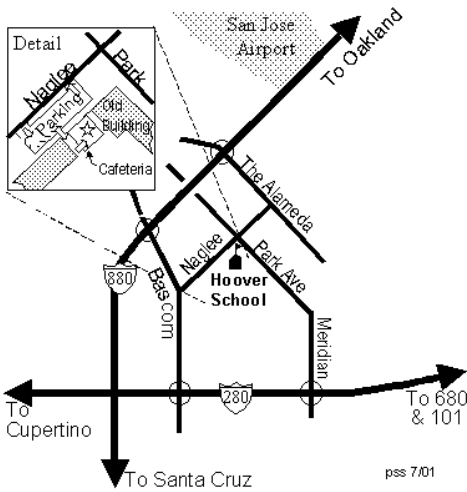
After the concert, **Norio Kawato**, **Sam Morocco**, **Arthur Kee**, **John Sellers** and **Michael Schwartz** entertain.

Santa Clara Valley Fiddlers Association
P.O. Box 2666
Cupertino, CA 95015-2666

SCVFA Jam on the first Sunday of each month.
Location: Hoover Middle School, 1635 Park Ave.,
San Jose. The school is at the corner of Naglee and
Park. Cafeteria parking is on the Naglee side.

**Next Jam: Sunday Nov. 2, 1-5 pm
at Hoover. Youth Fiddle Contest**

**Damaged or Missing Issue? Call us,
or email to: [newsletter at scvfa.org](mailto:newsletter@scvfa.org)**



Eric Berseth photo

Lone Prairie performed as part of our Jack Sadler Band Reunion, at the October jam.
Here (L-R) Jim Mintun, Jack Sadler and Paul King sing harmony, accompanied by Arthur Kee.